

NL

NINE LEG BIN



NL 22



NL 30



NL 36



NL 40



NL 42



NL 48



NL 49



Backed by our industry leading

5 YEAR
WARRANTY

Because if you're unhappy,
we're unhappy.

PRODUCT MODEL #	OUTSIDE DIMENSIONS L" x W" x H"	CAPACITY Cu Ft./Gal	WEIGHT [LBS]
22	56" x 35" x 22"	17 cu. ft/ 127 Gal	70
30	36" x 29" x 25"	9 cu. ft/ 68 Gal	35
36	48" x 44" x 36"	32 cu. ft/ 240 Gal	110
40	47" x 43" x 41"	36 cu. ft/ 272 Gal	105
42	56" x 35" x 42"	36 cu. ft/ 270 Gal	150
48	46.5" x 46.5" x 48"	42 cu. ft/ 335 Gal	125
49	50.5" x 42" x 49"	42 cu. ft/ 315 Gal	125

CUSTOM COLORS

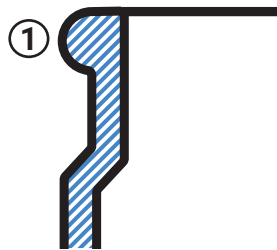
Customize your order with colors representing your brand or the product it carries. Able to do custom colors, even for small quantities.



MOLD ON GRAPHICS

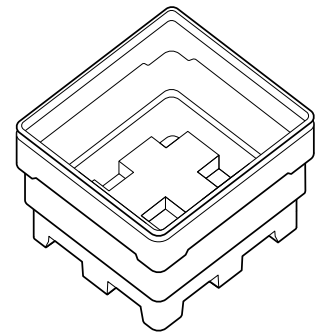
Customize your bin with your logo or special markings

"R" LIP



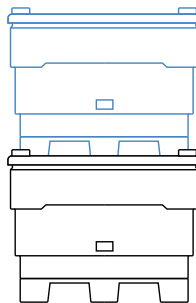
A Remcon innovation that changed everything!

SINGLE PIECE PRODUCT



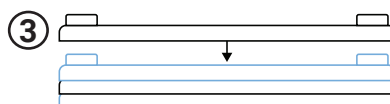
Sanitary and Easy to Clean

STACKABLE



Optional Lids Allow Stacking

STACKING LIDS



NESTABLE



Stepped Design Makes Nesting/De-Nesting Easy

OPTIONS

- Mold-in-Graphics
- Custom Colors
- Drain Holes
- Stencils
- Drain Plugs
- Expansion Plugs

④