

# TR

## THREE RUNNER BIN



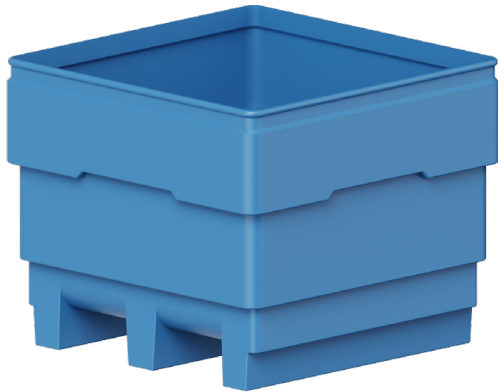
**TR 33**



**TR 36**



**TR 37**



**TR 40**



**TR 51**



Backed by our industry leading

**5** YEAR  
WARRANTY

Because if you're not happy,  
we're not happy.

PRODUCT MODEL #	OUTSIDE DIMENSIONS L" x W" x H"	CAPACITY cu ft./gal	WEIGHT lbs
33	41 x 41 x 33	29 / 215	75
36	47 x 43 x 36	35 / 260	100
37	45 x 45 x 37	31 / 230	110
40	47 x 43 x 41	37 / 275	115
51	43 x 43 x 51	41 / 305	125

**\* OUR MOST COST EFFECTIVE PALLET OFFERING \***

**CUSTOM COLORS**

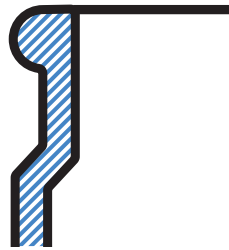
Customize your order with colors representing your brand or the product it carries. Able to do custom colors, even for small quantities.



**MOLD ON GRAPHICS**

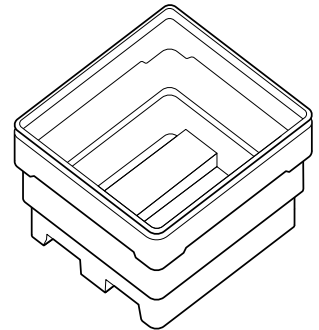
Customize your bin with your logo or special markings

**"R" LIP**



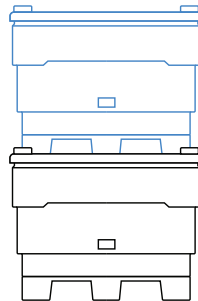
A Remcon Innovation that Changed Everything!

**SINGLE PIECE PRODUCT**



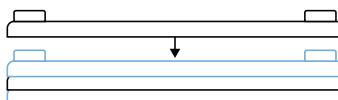
Sanitary and Easy to Clean!

**STACKABLE**



Optional Lids Allow Stacking

**STACKING LIDS**



**NESTABLE**



Stepped Design Makes Nesting/De-Nesting Easy

**OPTIONS**

- Mold on Graphics
- Custom Colors
- Drain Holes
- Stencilling
- Drain Plugs
- Expansion Plugs