

NL

NINE LEGGED BIN

NL 22



NL 30



*no lid

NL 36



NL 40



*no lid

NL 42



*built in door

NL 48



NL 49



Backed by our industry leading

5 YEAR
WARRANTY

Because if you're not happy,
we're not happy.

REMCON

208 Chestnut Street
Reading, PA 19602

PHONE: 610-376-2666
FAX: 610-376-4750

REMCON.COM

PRODUCT MODEL #	OUTSIDE DIMENSIONS L" x W" x H"	CAPACITY cu ft./gal	WEIGHT lbs
22	56 x 35 x 22	17 / 127	70
30	36 x 29 x 25	9 / 68	35
36	48 x 44 x 36	32 / 240	110
40	47 x 43 x 41	36 / 272	105
42	56 x 35 x 42	36 / 270	150
48	46.5 x 46.5 x 48	45 / 335	125
49	50.5 x 42 x 49	42 / 315	125

CUSTOM COLORS

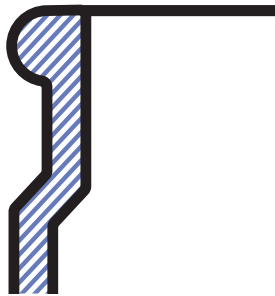
Customize your order with colors representing your brand or the product it carries. Able to do custom colors, even for small quantities.



MOLD ON GRAPHICS

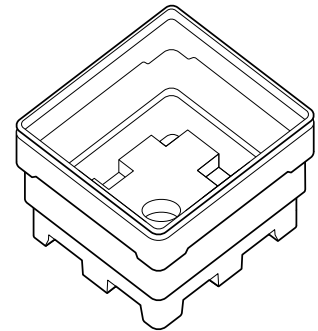
Customize your bin with your logo or special markings

"R" LIP



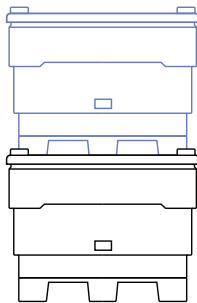
A Remcon Innovation that Changed Everything!

SINGLE PIECE PRODUCT

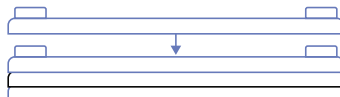


Sanitary and Easy to Clean!

STACKABLE



STACKING LIDS



NESTABLE



Stepped Design Makes Nesting/De-Nesting Easy

OPTIONS

- Mold on Graphics
- Custom Colors
- Drain Holes
- Stencilling
- Drain Plugs
- Expansion Plugs