

TR

THREE RUNNER BIN

TR 33



TR 36



TR 37



TR 40



TR 51



Backed by our industry leading

5 YEAR
WARRANTY

Because if you're not happy,
we're not happy.

PRODUCT MODEL #	OUTSIDE DIMENSIONS L" x W" x H"	CAPACITY Cu Ft/Gal	WEIGHT [LBS]
33	41 x 41 x 33	29 / 215	75
36	47 x 43 x 36	35 / 260	100
37	45 x 45 x 37	31 / 230	110
40	47 x 43 x 41	37 / 275	115
51	43 x 43 x 51	41 / 305	125

* OUR MOST COST EFFECTIVE BIN OFFERING *

CUSTOM COLORS

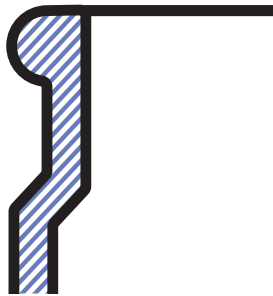
Customize your order with colors representing your brand or the product it carries. Able to do custom colors, even for small quantities.



MOLD ON GRAPHICS

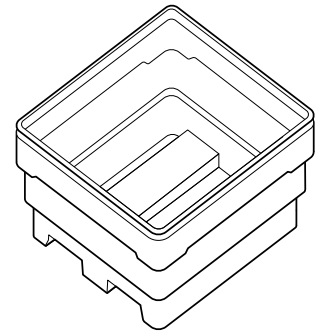
Customize your bin with your logo or special markings

"R" LIP



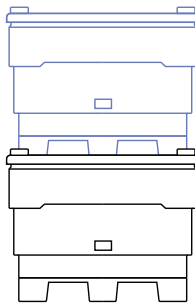
A Remcon Innovation that Changed Everything!

SINGLE PIECE PRODUCT

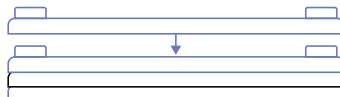


Sanitary and Easy to Clean!

STACKABLE



STACKING LIDS



NESTABLE



Stepped Design Makes Nesting/De-Nesting Easy

OPTIONS

- Mold on Graphics
- Custom Colors
- Drain Holes
- Stencilling
- Drain Plugs
- Expansion Plugs