

EZP

EZ FORK POCKET PALLET

4 SIDED EZ POCKET FLAT DECK



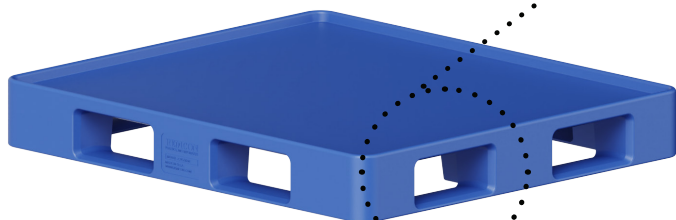
Flat Bottom Bin on 4-way Pallet

2 SIDED EZ POCKET 2 RUNNER

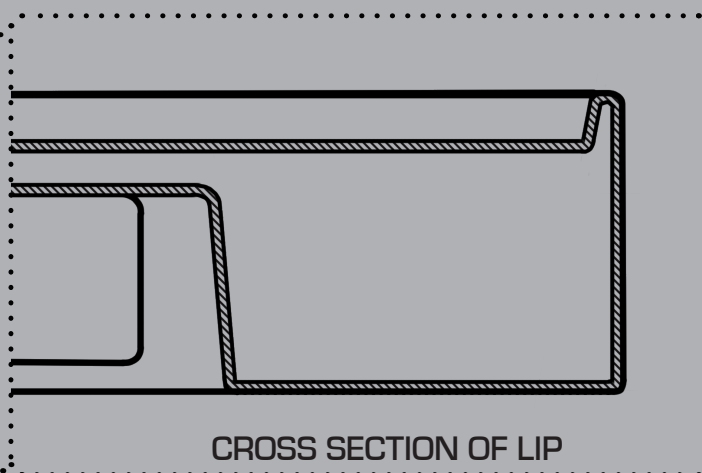


Flat Bottom Bin on 4-way Pallet

4 SIDED EZ POCKET 1 INCH LIP



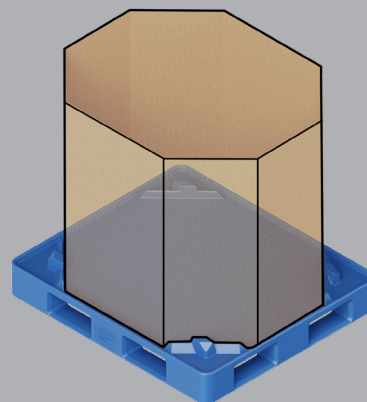
Flat Bottom Bin on 4-way Pallet



4 SIDED EZ POCKET OCTO PALLET



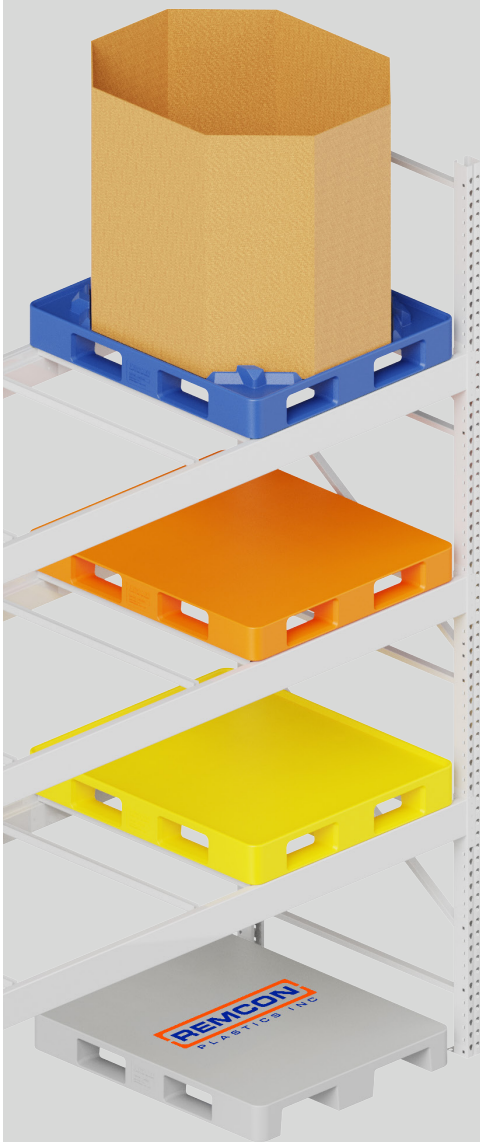
Flat Bottom Bin on 4-way Pallet



HOLDS OCTAGONAL GAYLORDS

| PRODUCT MODEL # | OUTSIDE DIMENSIONS L" x W" x H" | LOAD CAPACITY [lbs] DYNAMIC/STATIC | WEIGHT lbs |
|-----------------|------------------------------------|---------------------------------------|---------------|
| LOW PROFILE | 48 x 42 x 5 | 2,500 / 5,000 | 51 |
| 2 RUNNER* | 48 x 40 x 5.4 | 2,500 / 5,000 | 47 |
| 1 INCH LIP** | 48 x 42 x 6.4 | 2,500 / 5,000 | 51 |
| OCTO PALLET** | 48 x 42 x 7.9 | 2,500 / 5,000 | 52 |

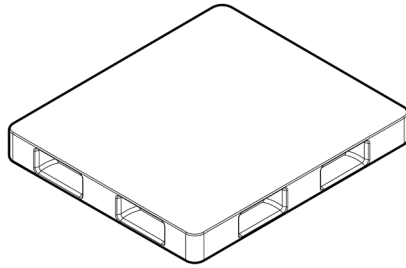
*40" WIDTH **COMES STANDARD WITH STEEL REINFORCEMENT. UNSUPPORTED RACK LOAD CAPACITY: 2,500LBS - 2 STEEL BARS; 3,500 LBS - 3 STEEL BARS



CUSTOM COLORS

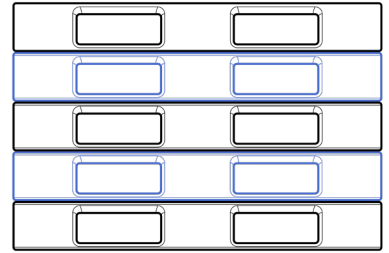
Customize your order with colors representing your brand or the product it carries. Able to do custom colors, even for small quantities.

SINGLE PIECE PRODUCT



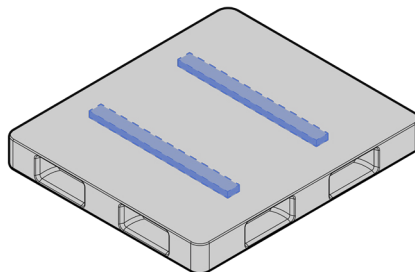
Sanitary and Easy to Clean!

STACKABLE



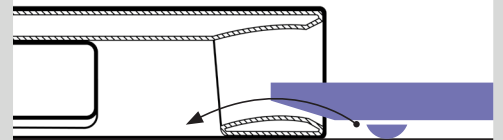
Pallets are easily stacked given their flat tops and bottoms.

STEEL REINFORCEMENT



Add strength and rigidity by molding in steel reinforcements

EZ POCKET



Allows for the easy access of pallet jacks

MOLD ON GRAPHICS

Customize your pallet with your logo or special markings



208 Chestnut Street
Reading, PA 19602

PHONE: 610-376-2666
FAX: 610-376-4750

REMCON.COM