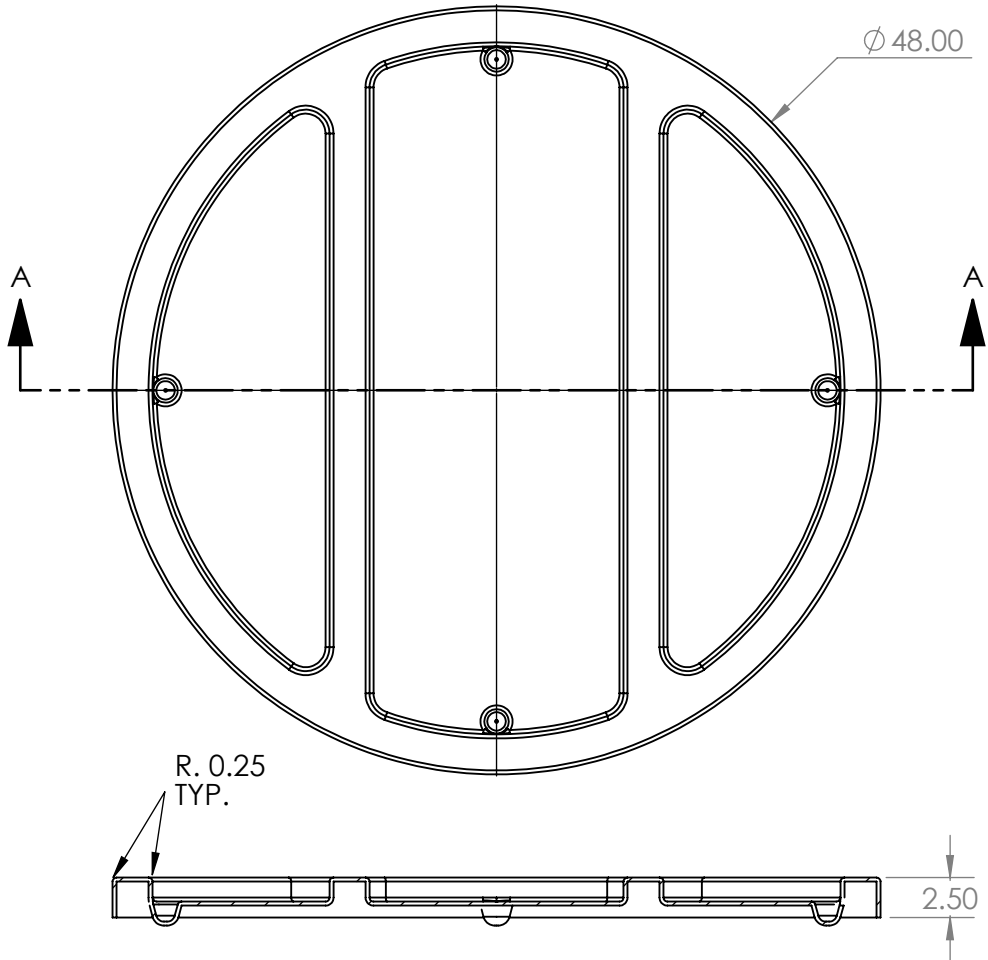


ISOMETRIC SKETCH  
(NOT TO SCALE)



- NOTES:
1. DRAWING SHOWS COMPLETED LID - TRIMMED
  2. ALL DIMENSIONS TO THEORETICAL SHARPS
  3. NOMINAL WALL THICKNESS 0.250
  4. ALL EDGES AND CORNERS HAVE RADII
  5. "XXX" DENOTES COLOR CODE

SECTION A-A  
SCALE 1 : 12

**PROPRIETARY AND CONFIDENTIAL**  
THE INFORMATION CONTAINED IN THIS DRAWING IS THE SOLE PROPERTY OF REMCON PLASTICS INC. ANY REPRODUCTION IN PART OR AS A WHOLE WITHOUT THE WRITTEN PERMISSION OF REMCON PLASTICS INC. IS STRICTLY PROHIBITED.

		UNLESS OTHERWISE SPECIFIED:		NAME	DATE
		DIMENSIONS ARE IN INCHES	DRAWN	PFE	4/2/13
		TOLERANCES:	CHECKED	PFE	4/2/13
		FRACTIONAL: N/A	ENG APPR.	KM	4/2/13
		ANGULAR: ± 1/2 deg	COMMENTS:		
		DECIMAL: ± 0.010 in/in			
		ENGINEERING PROJECT #: PROPRIETARY UPDATES			
		MATERIAL LLDPE			
NEXT ASSY	USED ON	FINISH SMOOTH			
APPLICATION		DO NOT SCALE DRAWING			

Remcon Plastics Inc.  
208 Chestnut Street, Reading Pa, 19602

TITLE:  
**RFB-44 BIN LID  
GENERAL SPECIFICATIONS**

SIZE	DWG. NO.	REV
<b>A</b>	010203444001XXX	A

SCALE: 1:12 WEIGHT: SHEET 1 OF 1